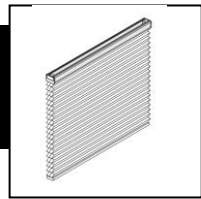


# Motorized Cellular Shade Installation Instructions



## BASICS

A few simple tools are required:

- Measuring Tape
- Power drill, drill bits
- Phillips driver bit
- Pencil



Standard Mounting Bracket



Optional Extension Bracket



Optional 3/8" Spacer Block



Optional Hold Down Bracket

Additional fasteners other than those sent with your shade may be required depending on the mounting surface. Wallboard and plaster require the use of anchors such as expansion or toggle bolts. Brick, tile or stone need special plugs and drill bits. Remember to always pre-drill holes in wood to avoid splitting. Contact your local hardware store for fasteners specific to your application. Please do not remove the sticker from the headrail. It provides important information that is helpful for proof of warranty.

## BRACKET INSTALLATION

NOTE: SHADES OVER 50" WIDE MAY REQUIRE 2 PEOPLE FOR INSTALLATION OF SHADE TO BRACKETS.

Shades are shipped with the required number of brackets for proper installation. Brackets should be located approximately 3" from either end. Depending on the width of the shade, additional brackets may be necessary, evenly space additional brackets between the two end brackets.

Using the Installation Bracket as a template, measure 3" in from the end of the shade and mark the hole locations with a pencil for drilling. When mounting brackets, make sure they are in line and level.

Brackets must be in line and level. Shim brackets on inside mount if necessary.

The headrail must be level for the shade to operate properly.

For shade widths:	# of brackets:
Up to 40"	2
40" – 72"	3
72" – 84"	4
84" and up	5
Inside Mount Outside Mount	1 screw/bracket 2 screws/bracket



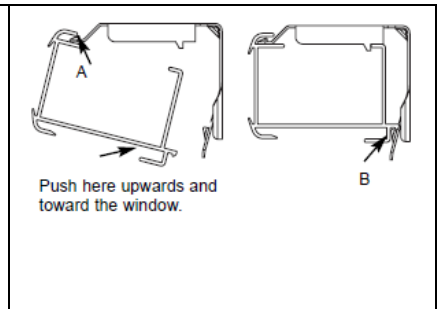
<p><b>Inside or Ceiling Mounts</b></p> <p>Use the top bracket holes. Requires 1 screw.</p>	<p>Top Hook</p> <p>Note: Release tab is at the bottom of the bracket</p>	<p><b>Outside Mount with Spacer Block (optional)</b></p> <p>Optional spacer block will project bracket 3/8".</p>	
<p><b>Wall or Outside Mounts</b></p> <p>Use the rear bracket holes. Requires 2 screws.</p>	<p>Top Hook</p>	<p><b>Outside Mount with Extension Bracket (optional)</b></p>	<p>3 3/8"</p> <p>2" minimum surface required</p> <p>Nut Bolt</p>
<p><b>Hold Down Bracket (optional)</b></p> <p>Hold Down brackets are provided upon request to prevent shades swinging when mounted on doors.</p> <p>Hold Down Brackets are mounted with the supplied screws. With the shade at its proper drop, place the pin of each Hold Down into the hole in each End Cap and mark the screw holes. Make sure the pins are level and aligned.</p> <p>Raise the shade and then screw the Hold Down Bracket into the mounting surface. Hold Down Brackets are designed for Outside Mounted Shades only.</p>		<p><b>Side Mount with Extension Bracket (optional)</b></p>	

## INSERTING THE HEADRAIL

Before mounting the headrail; make sure that the receiver wire is out of the headrail. For optimal performance position the receiver wire so that it is facing into the room.

If there are more than 2 brackets, secure the middle bracket(s) first.

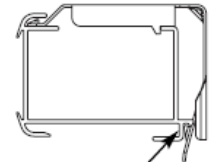
Position the headrail with the front lip (A) resting on the top hooks of all the brackets. Make sure that no fabric is pinched between the brackets and the headrail. Push the bottom of the headrail firmly upwards and toward the window until the groove at the bottom of the headrail snaps into place, (B) as shown.



## REMOVING THE HEADRAIL

To remove a shade, insert a screwdriver between the headrail and the bottom back of the bracket (tab which extends out lightly from each bracket).

Gently pry the screwdriver to release the bracket from the headrail. Take care not to damage the painted finish of the headrail or the fabric. As you release the shade from the brackets, hold the headrail to keep it from falling.



Insert screwdriver here and gently pry.

## BATTERY WAND ATTACHMENT

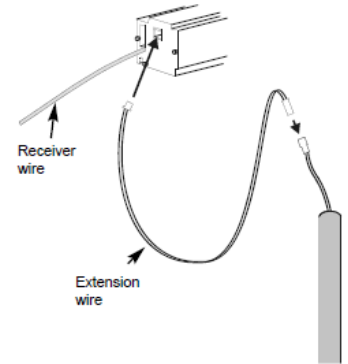
The shade comes with a 10" extension wire. Determine the best position for the battery wand before proceeding.

Make sure that extension wire is long enough to reach from the battery wand to the motor (at the right end of the head rail). Longer wires are available if needed.

## ATTACH WAND TO MOTOR

Once the shade is installed, plug the battery wand into the motor (Shade will "Jog" when battery is plugged in).

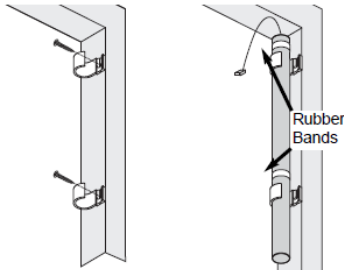
Insert the end of the extension wire with the shorter tip into the motor and the opposite end into the battery wand.



## WALL ATTACHMENT

Using one screw per clip, attach the clips to the wall as shown. Be sure that the distance between the first clip and the second clip is 12".

Place the rubber bands on the battery wand so that when the wand is in the clips, the rubber bands will prevent the wand from sliding out. See diagram to the right.

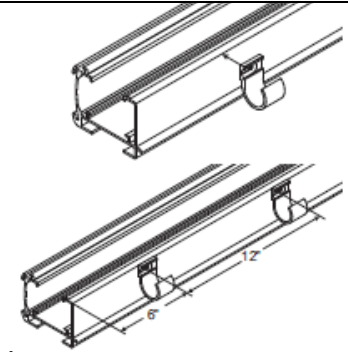


## HEADRAIL ATTACHMENT

Remove the paper backing from the adhesive backing on the clip. Attach the clip to back of the headrail as shown.

Be sure that the first clip is 6" in from the end of the headrail and the second clip is 12" from the first. This will allow room for the installation brackets.

Snap the battery wand into the clips



## SHADE OPERATION

Operation of the shade will depend on control system. Shade can be controlled by a remote, wall switch or timer. Shade may be integrated into a third party home automation system. Remote/ Switch programming directions vary depending on control system. See specific programming instructions for setup and shade operation details.

## TROUBLE SHOOTING

**Problem:** The shade will not stay down.

**Cause:** Because the shade was fabricated primarily in the closed position, the fabric may want to spring up.

**Repair:** For a light filtering shade, with clean hands, gently pull down on a section of cells to relax the pleats.

Repeat with another section of cells until the fabric is sufficiently relaxed. For a black out shade, avoid wrinkling the front of the fabric by grabbing shade at the sides and stretching downward. Do not fully raise the shade for 24 hours.

## CLEANING AND CARE

Our cellular shades are designed for durability as well as easy care and cleaning. Our fabrics repel dust and are inherently anti-static, but occasional feather dusting or vacuuming with a brush attachment may help to keep the fabrics clean and bright. Spills and stains can be lightly blotted with a cloth or damp sponge.

If you have a **light filtering shade**, you may need to rub gently with water and clear mild liquid soap (no bleach!). Do not submerge headrail, motors or battery in liquid.

**\*\*BLACK OUT FABRIC CANNOT BE SUBMERGED! SPOT CLEAN ONLY.\*\***

*Please visit us online for complete programming and installation instructions for all power & control options.*